

Before assembly

- We recommend that time is taken to read the instructions before starting assembly, then follow the easy step by step guide. The instruction sheet is only a guide to the assembly. Certain items may not be shown to scale.
- Check all components prior to assembly
- This product should be assembled by no less than two people
- Drill all components where indicated



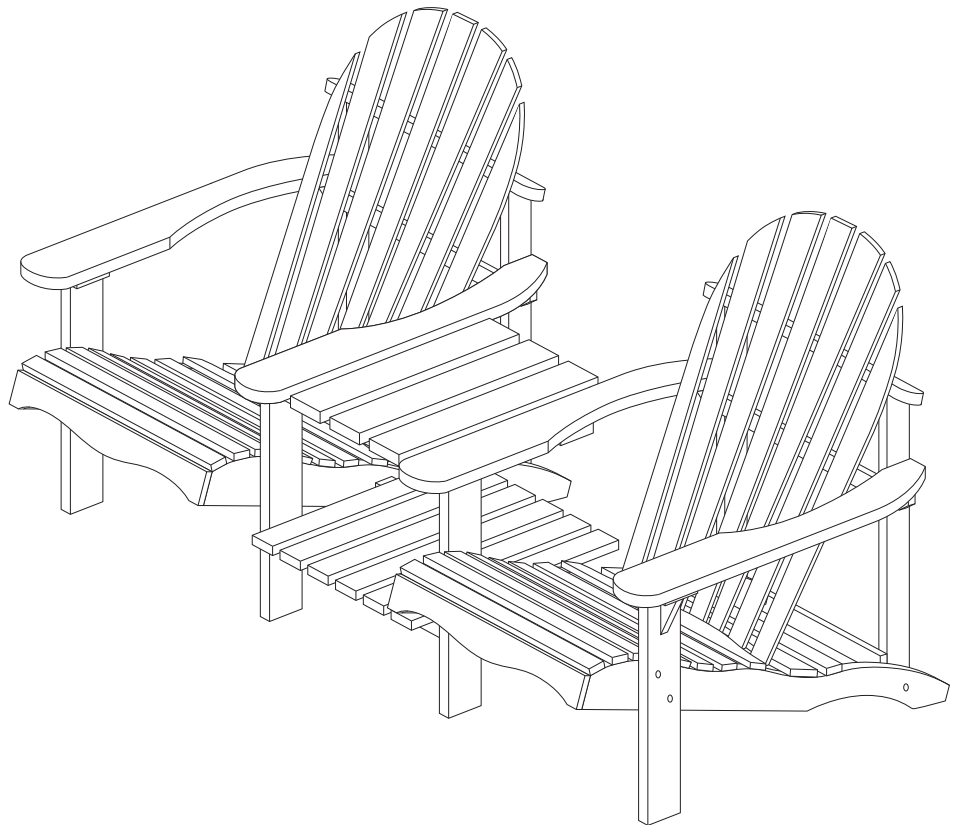
Recommended tools for assembly

- Power drill/screwdriver
- Crosshead screwdriver drill bit
- 3mm drill bit
- 13mm spanner

Biocidal Products Regulation EU 528/2012

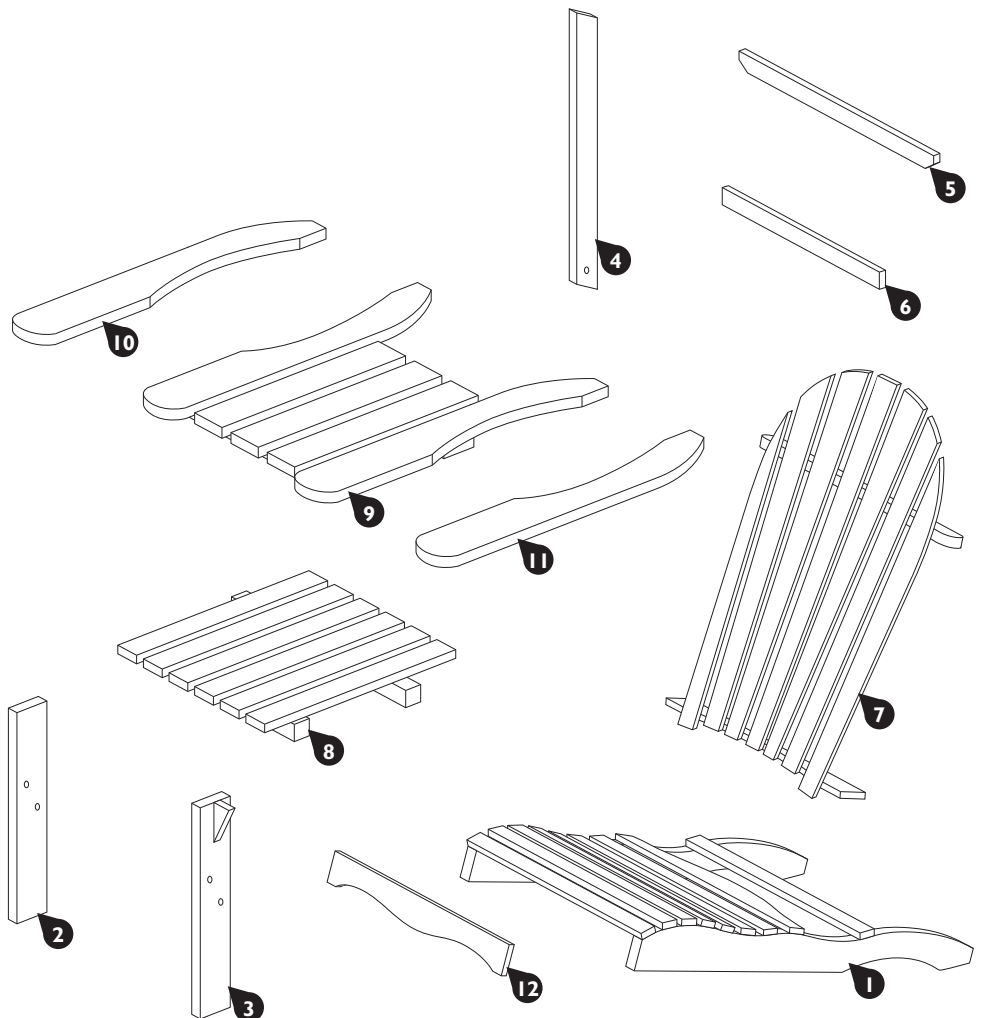
Wolmanit® CX treated wood is a treated article that incorporates biocidal products: copper hydroxide carbonate/II/ and boric acid. They protect wood against fungal decay /rot/ and insect attack.

Keep away from food, drink and animal feeding stuffs. Avoid breathing dust when cutting treated wood.



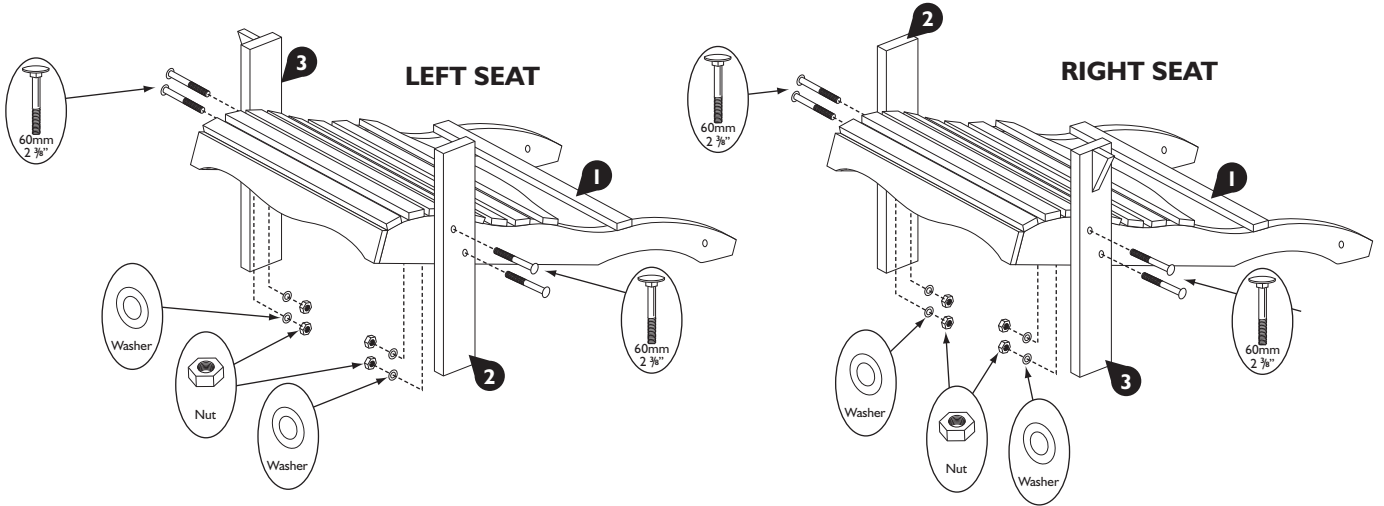
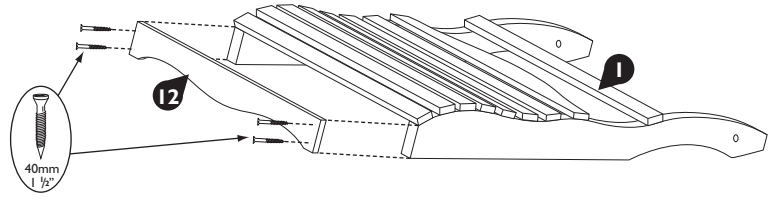
No.	Components	Qty.
1	Seat	2
2	Inner front leg	2
3	Outer front leg	2
4	Back support	4
5	Rear arm support	2
6	Rear brace	2
7	Seat back	2
8	Lower table	1
9	Upper table	1
10	Left outer arm	1
11	Right outer arm	1
12	Seat facia	2

No.	Fixing Kit	Qty.
13	60mm bolt	12
14	Washer	12
15	Nut	12
16	70mm screw	4
17	60mm screw	8
18	50mm screw	16
19	40mm screw	8
20	25mm screw	8
21	L-bracket	2



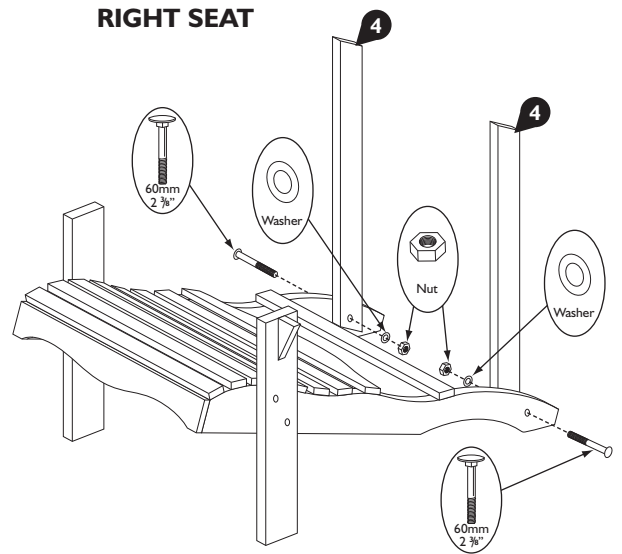
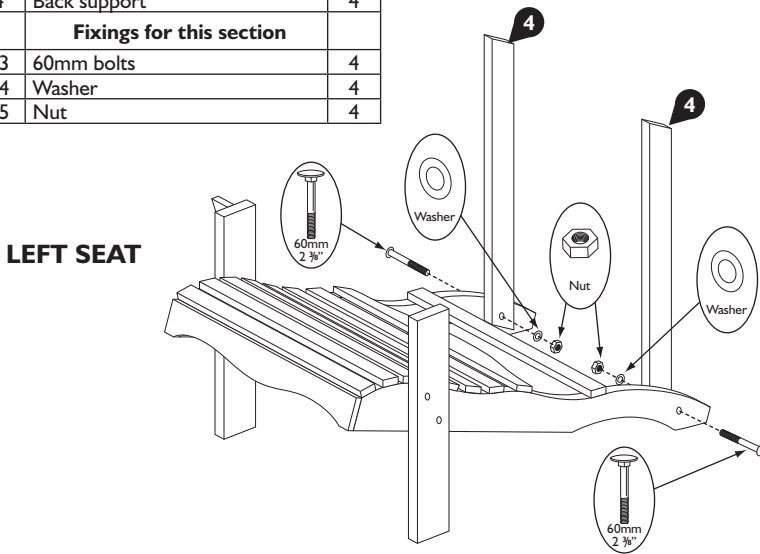
1. Legs

No.	Components for this section	Qty.
1	Seat	2
2	Inner front leg	2
3	Outer front leg	2
12	Seat facia	2
Fixings for this section		
19	40mm screw	8
13	60mm bolts	8
14	Washer	8
15	Nut	8



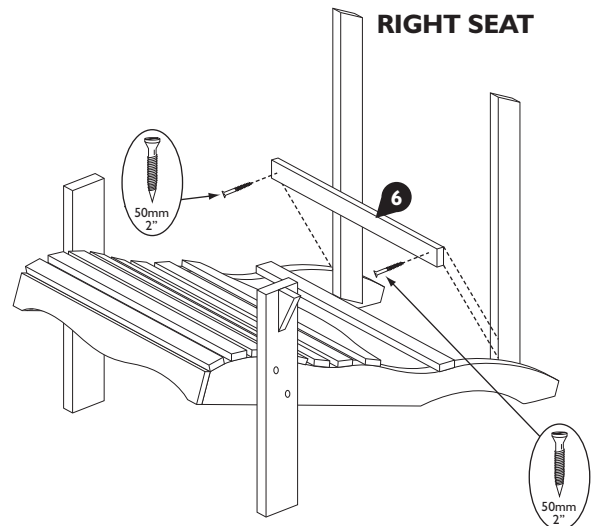
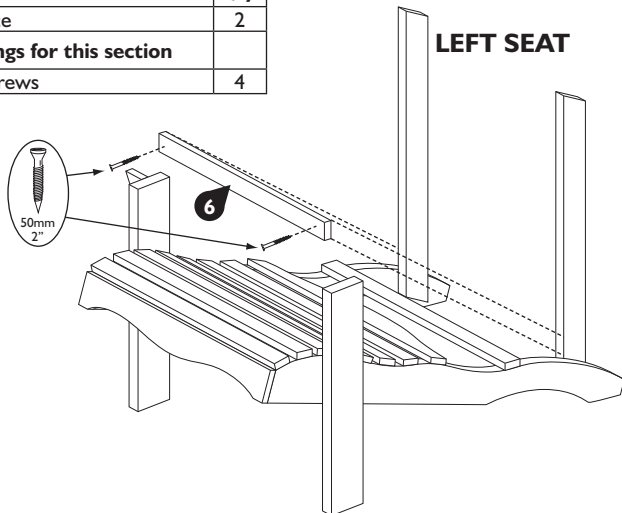
2. Back supports

No.	Components for this section	Qty.
4	Back support	4
Fixings for this section		
13	60mm bolts	4
14	Washer	4
15	Nut	4



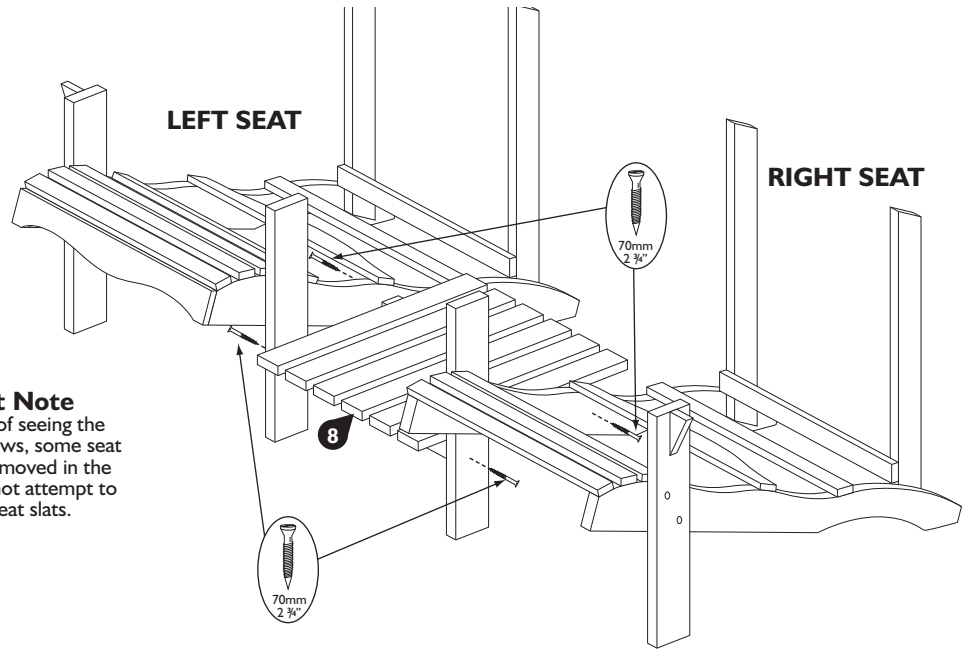
3. Rear Braces

No.	Components for this section	Qty.
6	Rear brace	2
Fixings for this section		
18	50mm screws	4



4. Lower centre table

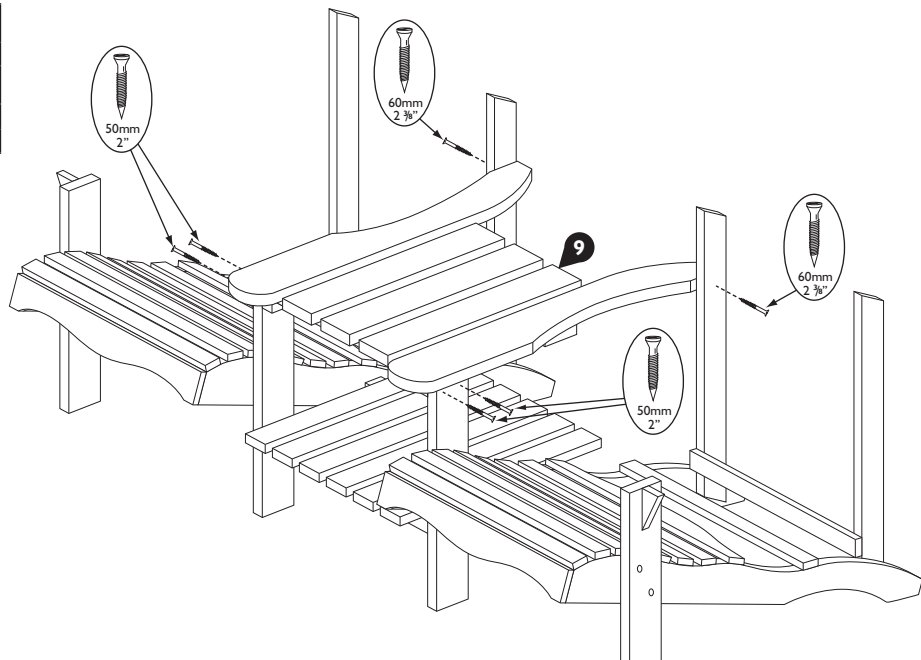
No.	Components for this section	Qty.
8	Lower table	1
Fixings for this section		
16	70mm screw	4



Important Note
For the purpose of seeing the position of the screws, some seat slats have been removed in the drawing only. Do not attempt to remove the seat slats.

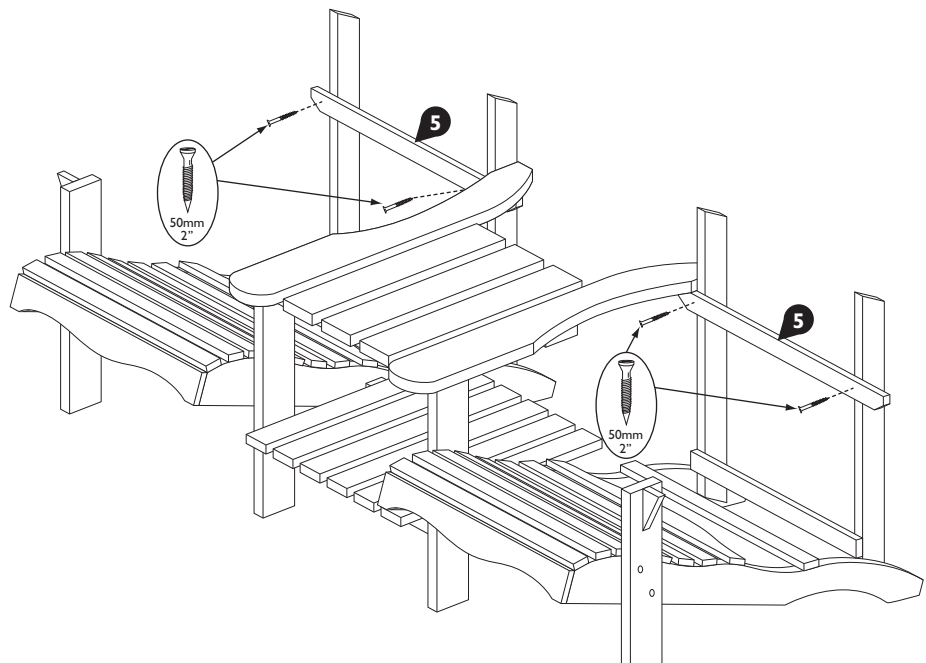
5. Upper table

No.	Components for this section	Qty.
9	Upper table	1
Fixings for this section		
17	60mm screw	2
18	50mm screw	4



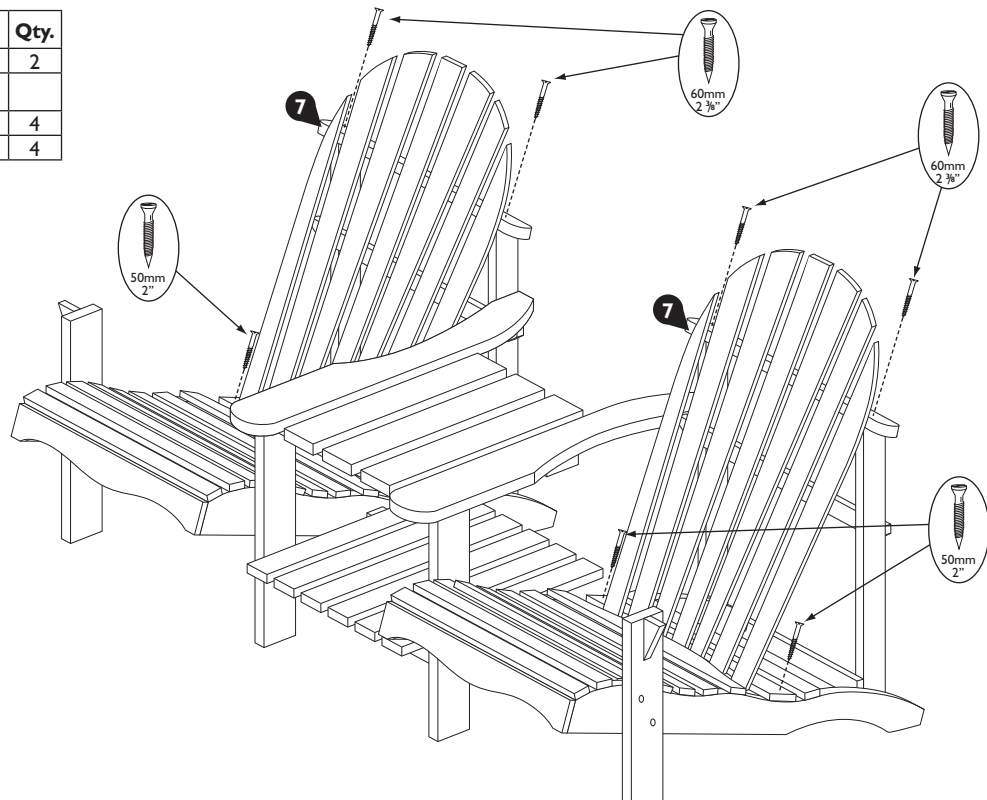
6. Rear arm supports

No.	Components for this section	Qty.
5	Rear arm support	2
Fixings for this section		
18	50mm screws	4



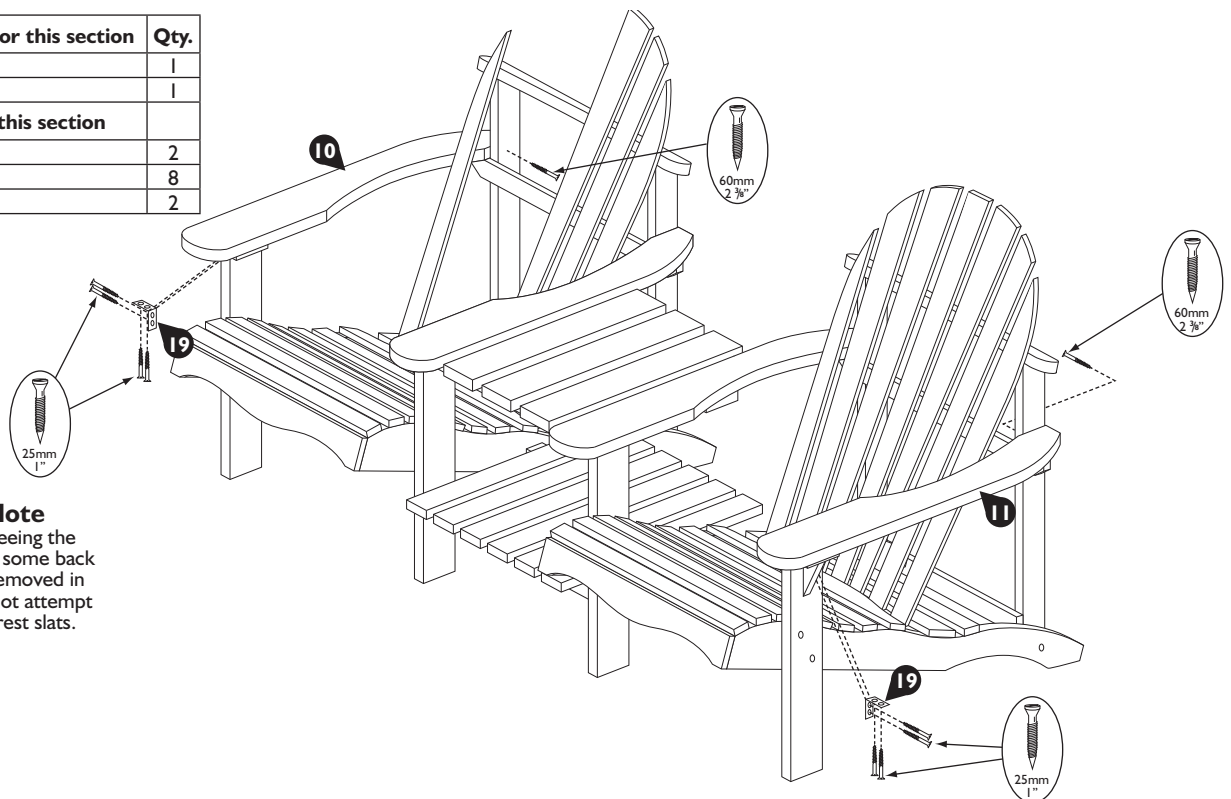
7. Seat backs

No.	Components for this section	Qty.
7	Seat back	2
Fixings for this section		
17	60mm screw	4
18	50mm screw	4



8. Outer arms

No.	Components for this section	Qty.
10	Left outer arm	1
11	Right outer arm	1
Fixings for this section		
17	60mm screw	2
20	25mm screw	8
21	L-bracket	2



Important Note

For the purpose of seeing the position of the screws, some back rest slats have been removed in the drawing only. Do not attempt to remove the back rest slats.

Important information - retain for future reference

IMPORTANT: RETAIN FOR FUTURE REFERENCE READ CAREFULLY

Periodically check all fastenings for tightness
For domestic use only

If in doubt of any aspect regarding the assembly, use or safety of your furniture please contact us:

Help Line: (Normal Office Hours) 01829 261 121

Email: support@rowgar.co.uk

ROWLINSON GARDEN PRODUCTS LIMITED
Green Lane
Wardle Nr. Nantwich
Cheshire
CW5 6BN
www.rowgar.co.uk

We constantly improve the quality of our products, occasionally the components may differ from the components shown and are only correct at time of printing. We reserve the right to change the specification of our products without prior notice.

2020 © Rowlinson Garden Products Ltd